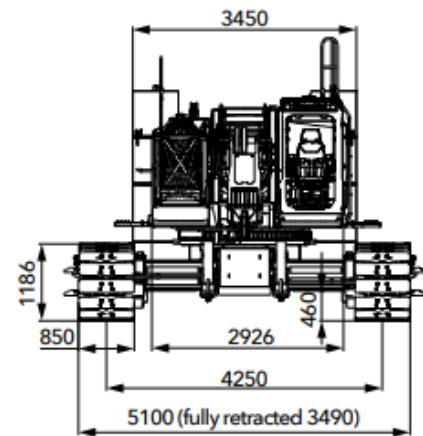
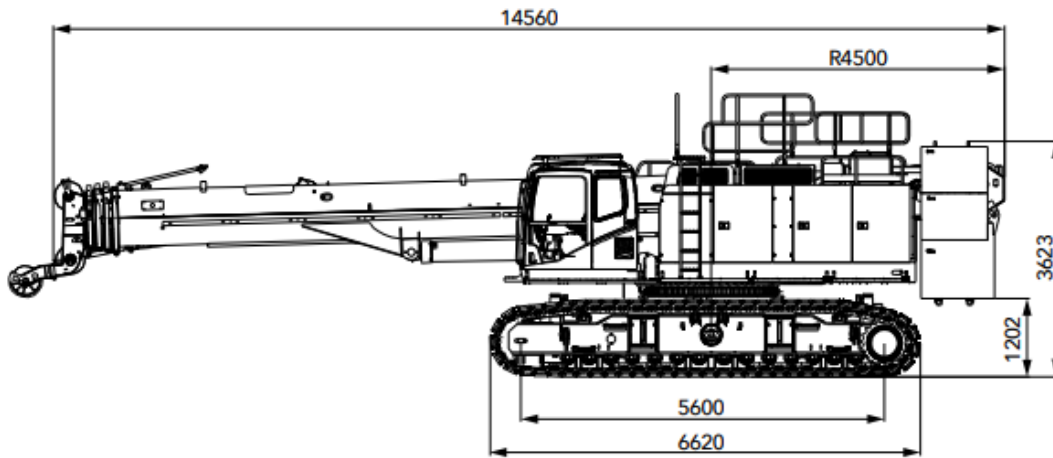


GEOMETRIAI MÉRETEI



TERHELÉSI TÁBLÁZAT

(megengedett terhelés [tonnában])



26 tonna ellensúllyal, 6 tonna központi ellensúllyal és 4.25 méter lánctalp közép szélességgel

H Load Chart (Ground Level 0~1°)																
Rear Counterweight 26t, Carbody Counterweight 6t, Track Gauge 4.25m (Crawlers Extended)																
Boom length (m) Radius (m)	12.2	16.5	18.7	20.7	23	25.2	27.2	29.5	31.8	33.8	36	38.3	40.4	42.5	47	Boom length (m) Radius (m)
3	80	65														3
3.5	75	63														3.5
4	68	61.5	30	44												4
4.5	65	60	30	43	30	28		28								4.5
5	58	55.5	30	42.5	30	27	30	27		26						5
5.5	54	50	30	39.6	30	26	30	26		25						5.5
6	50.3	47	29	39.3	29	25	30	25	20	24	20		20			6
6.5	46	43	29	35.4	29	24.5	29	24.5	19.5	23	19.5		19			6.5
7	40.3	40	29	34.8	29	24	28	24	19	22.5	19		18			7
7.5	37.2	37	28	31	28.5	23.1	26.8	23.5	18	21.8	18.5		17.5			7.5
8	32.4	32.1	28	30.5	28	22.8	26.5	23	17	21.4	18		17.2			8
9	26.8	26.6	27	26.3	27	21.5	24.3	22	16	20.5	16.8		16		11.7	9
10		22.4	23	22.1	23.3	20.2	21.7	21	15	19.6	15.6	11	15.3	11	11.5	10
11		19.2	19.9	18.5	19.5	19.5	19.3	19.9	14	16.2	14.5	10.5	13.6	10.8	10.7	11
12		16.7	17.2	15.6	16.8	17.8	17.5	17.1	13.2	15	13.6	10.2	12.5	10.5	10.6	12
14		11.5	12.8	11.6	12.8	13.6	13.3	13.1	11.6	12.5	12	9.6	11.7	10.2	10.2	14
16			10.6	8.8	9.8	10.8	10.2	10.4	10.5	10.6	10.9	8.8	10	9.8	9.7	16
18				6.7	7.8	8.8	8	8.3	9	8.4	8.9	8	8.9	8.9	8.1	18
20					6.5	7.4	6.4	6.9	7.5	6.9	7.3	7.3	7.3	7.5	7.25	20
22						6.4	5.2	5.6	6.2	5.7	6.1	6.4	6.1	6.4	6.2	22
24							4	4.6	5.1	4.6	5.1	5.6	5	5.4	5.4	24
26								4.1	4.4	3.8	4.3	4.7	4.1	4.6	4.6	26
28									4.1	3.1	3.6	4	3.4	3.9	3.9	28
30										2.4	3	3.5	2.8	3.3	3.4	30
32											2.6	3	2.3	2.85	2.8	32
34												2.7	1.8	2.3	2.4	34
36													1.4	1.9	1.8	36
38														1.6	1.3	38
40															1	40
42															0.7	42
44															0.4	44
Parts of line	12	10	10	8	8	6	6	6	5	5	5	4	4	3	3	Parts of line
Section 2	0	50	0	100	50	0	100	50	0	100	50	0	100	50	100	Section 2
Section 3	0	0	25	0	25	50	25	50	75	50	75	100	75	100	100	Section 3
Section 4	0	0	25	0	25	50	25	50	75	50	75	100	75	100	100	Section 4
Section 5	0	0	25	0	25	50	25	50	75	50	75	100	75	100	100	Section 5

TERHELÉSI TÁBLÁZAT 10.2/17.5 méter segédgémme

(megengedett terhelés [tonnában])



26 tonna ellensúllyal, 6 tonna központi ellensúllyal és 4.25 méter lánctalp közép szélességgel

Load chart -FJ (Rear counterweight 26t, Carbody counterweight 6t)							
Boom operation angle	47+10.2m			47+17.5m			Boom operation angle
	0°	15°	30°	0°	15°	30°	
80°	5.5	3.8	3.3	3.3	2.0	1.5	80°
78°	5.2	3.8	3.2	3.0	1.9	1.3	78°
76°	4.9	3.7	2.9	2.7	1.8	1.3	76°
74°	4.2	3.5	2.7	2.3	1.7	1.2	74°
72°	3.6	3.3	2.6	2.1	1.6	1.2	72°
70°	3.9	3.1	2.4	1.9	1.5	1.1	70°
68°	3.5	2.9	2.3	1.8	1.4	1.1	68°
66°	3.1	2.7	2.2	1.7	1.3	1.0	66°
64°	2.7	2.5	2.1	1.6	1.2	1.0	64°
62°	2.3	2.3	2.0	1.5	1.1	1.0	62°
60°	2.0	2.0	1.8	1.4	1.0	0.9	60°
58°	1.8	1.7	1.4	1.2	0.9	0.9	58°
56°	1.6	1.4	1.2	1.1	0.9	0.8	56°
54°	1.2	1.1	1.0	0.9			54°
52°	0.9						52°
Min. protection angle	52°						Min. protection angle

TERHELÉSI DIAGRAM

(megengedett terhelés [tonnában])

