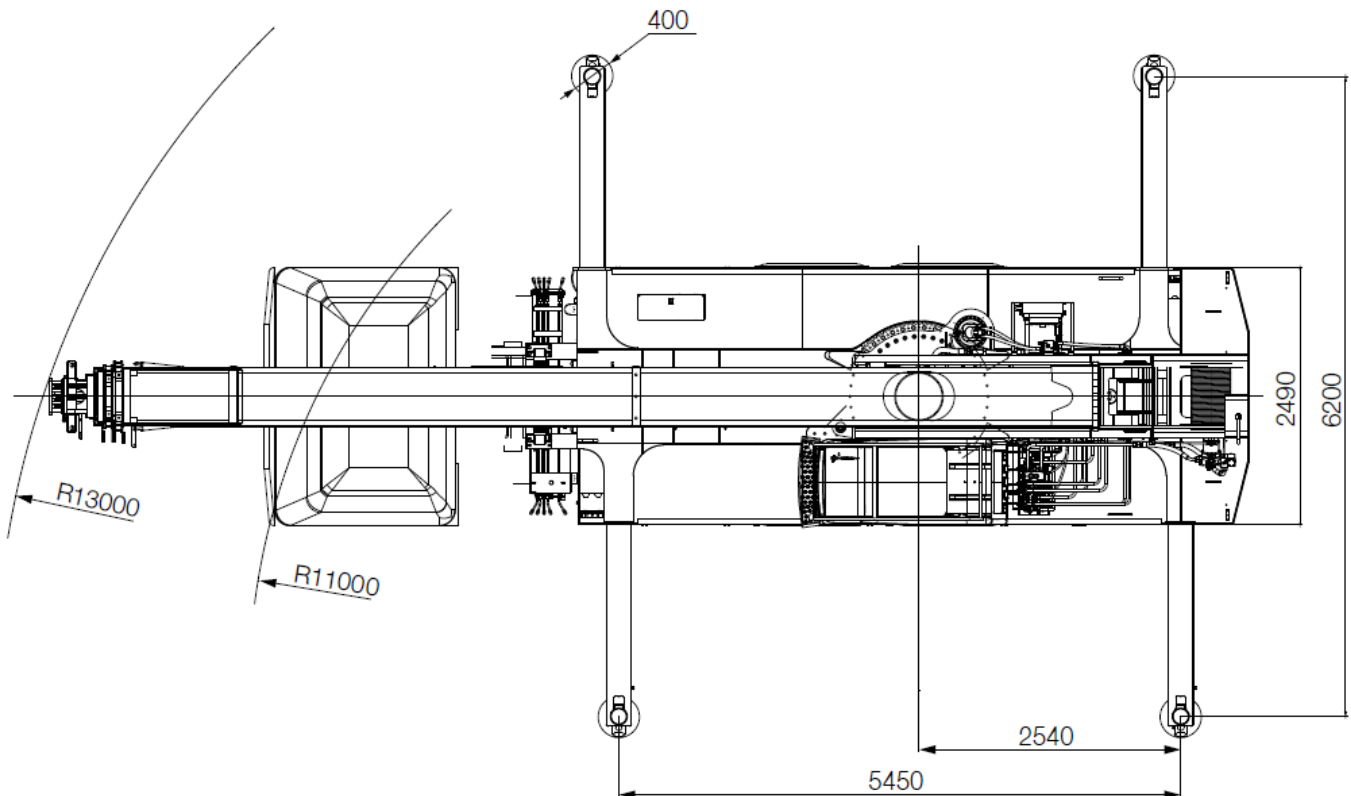
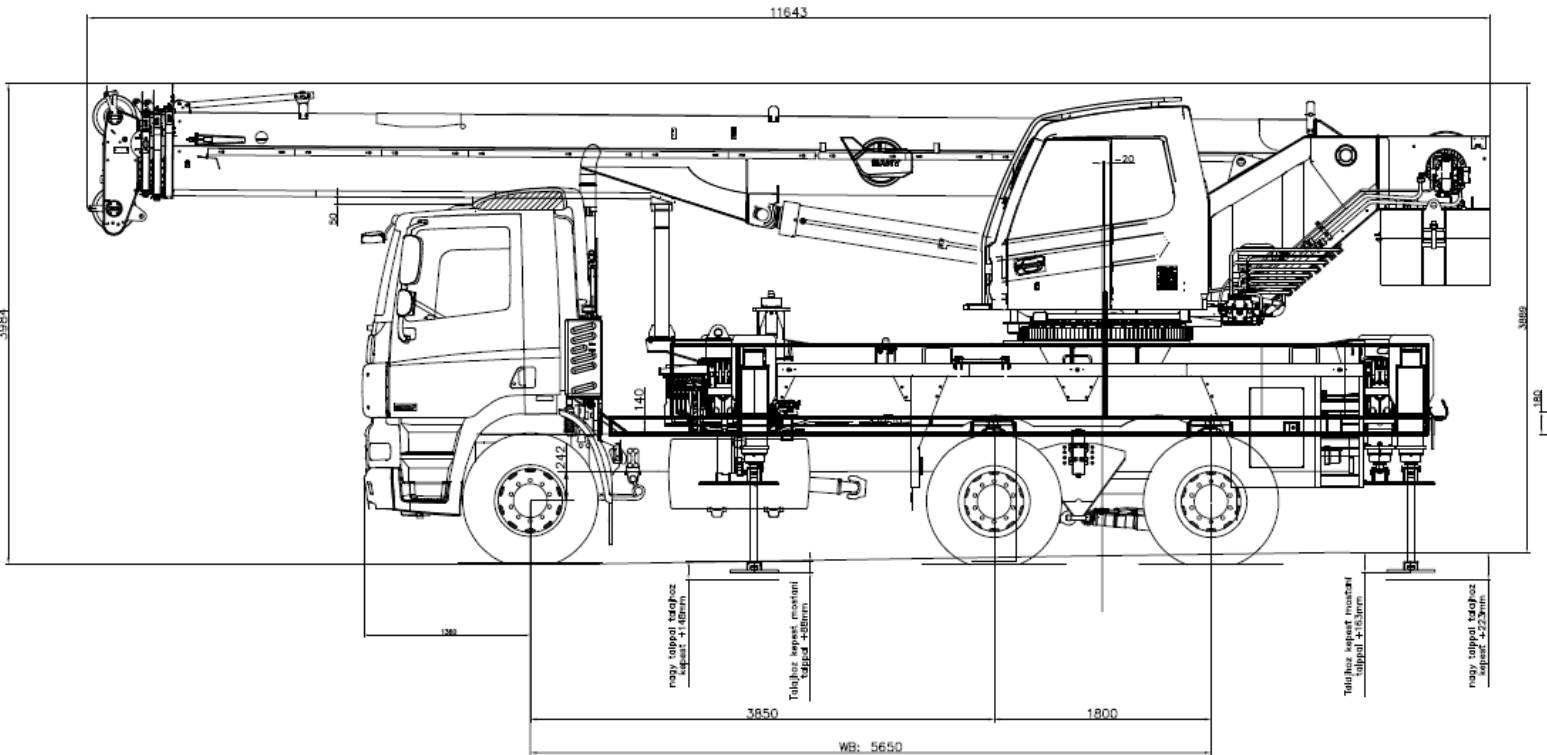


GEOMETRIAI MÉRETEI



Bővebb információ vagy megrendelés: 06 30 9 443 817; e-mail: info@gyorfidaru.hu

TERHELÉSI TÁBLÁZAT

(megengedett terhelés [tonnában] 4 tonna ellensúllyal - minden irányban kivéve előre)

Prerequisites:

- ① Boom operating condition (fully extended boom length), min. length is 10.22 and max. length is 32m
- ② The span of outrigger is 5.45×6.2m
- ③ 240° rotation is applied
- ④ Counterweight is 4T

| Working range(m) | Main boom | | | | | | Working range(m) |
|--------------------------|-----------|-------|-------|-------|------|------|------------------|
| | 10.2 | 14.6 | 18.9 | 23.3 | 27.6 | 32 | |
| 3 | 30000 | 21300 | | | | | 3 |
| 3.5 | 27600 | 21000 | | | | | 3.5 |
| 4 | 24600 | 19800 | 17700 | | | | 4 |
| 4.5 | 22000 | 18800 | 16400 | 11000 | | | 4.5 |
| 5 | 20500 | 17200 | 15600 | 10800 | 8800 | | 5 |
| 5.5 | 18400 | 16000 | 14600 | 10600 | 8500 | | 5.5 |
| 6 | 16800 | 15000 | 13600 | 10300 | 8500 | 7300 | 6 |
| 6.5 | 14800 | 13800 | 12600 | 9800 | 8200 | 7200 | 6.5 |
| 7 | 13700 | 12700 | 12000 | 9500 | 8000 | 7100 | 7 |
| 8 | 11200 | 11000 | 10500 | 8400 | 7300 | 6800 | 8 |
| 9 | | 9200 | 9100 | 7900 | 6700 | 6200 | 9 |
| 10 | | 7900 | 8100 | 7300 | 6200 | 5700 | 10 |
| 12 | | 6000 | 5800 | 5800 | 5200 | 4800 | 12 |
| 14 | | | 4500 | 4500 | 4500 | 4200 | 14 |
| 16 | | | | 3500 | 3500 | 3500 | 16 |
| 18 | | | | 2800 | 2800 | 2800 | 18 |
| 20 | | | | | 2300 | 2400 | 20 |
| 22 | | | | | | 1900 | 22 |
| Number of lines | 8 | 6 | 6 | 4 | 3 | 3 | Number of lines |
| Telescoping condition(%) | | | | | | | |
| I | 100% | 100% | 100% | 100% | 100% | 100% | I |
| II | 0 | 20% | 40% | 60% | 80% | 100% | II |
| III | 0 | 20% | 40% | 60% | 80% | 100% | III |
| IV | 0 | 20% | 40% | 60% | 80% | 100% | IV |

TERHELÉSI TÁBLÁZAT

(megengedett terhelés [tonnában] 4.tonna ellensúllyal - minden irányban)

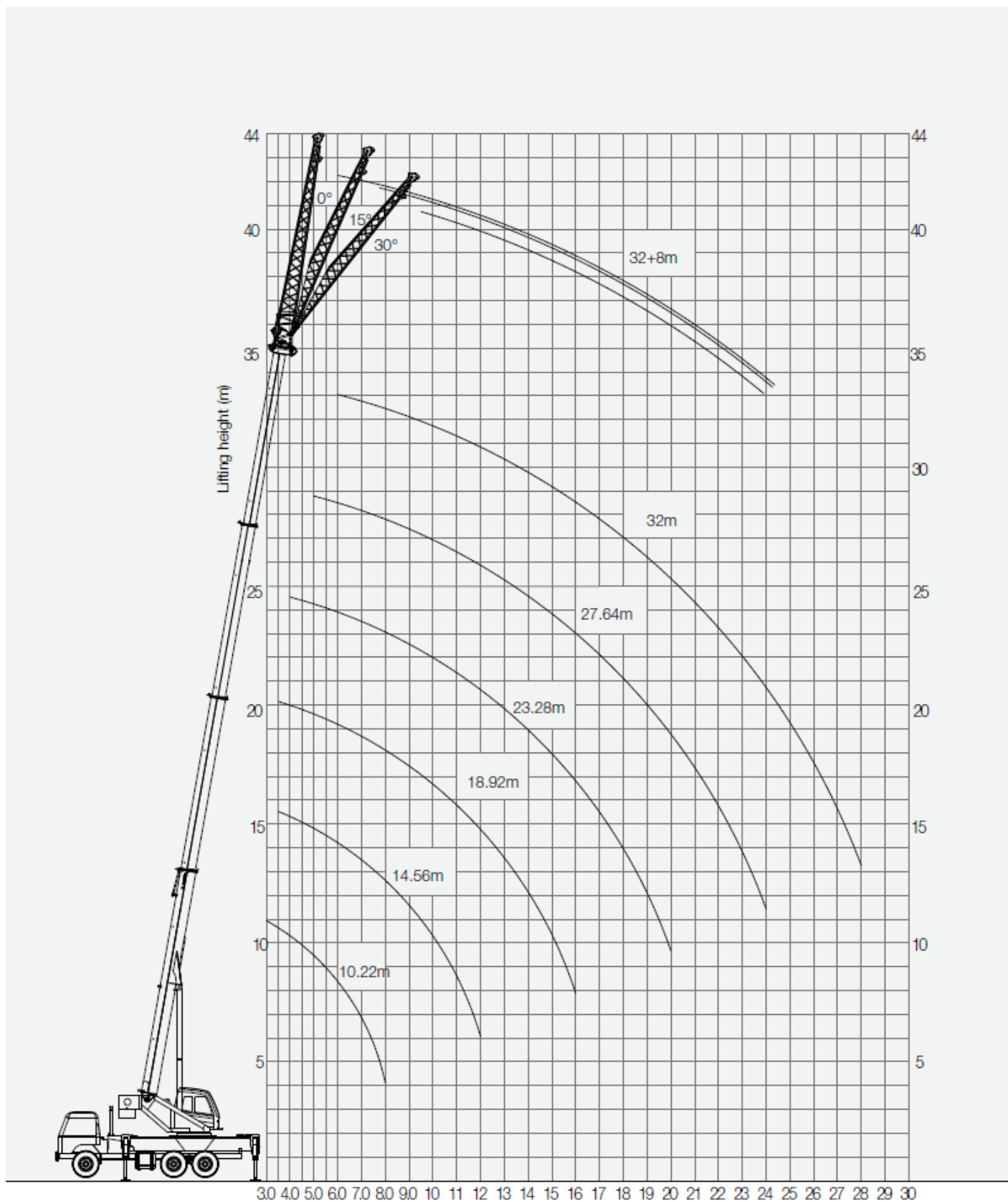
Prerequisites:

- ① Boom operating condition (fully extended boom length), min. length is 10.22 and max. length is 32m
- ② The span of outrigger is 5.45x6.2m
- ③ 360° rotation is applied
- ④ Counterweight is 4T

| Working range(m) | Main boom | | | | | | Working range(m) |
|--------------------------|-----------|-------|-------|-------|------|------|------------------|
| | 10.2 | 14.6 | 18.9 | 23.3 | 27.6 | 32 | |
| 3 | 30000 | 17000 | | | | | 3 |
| 3.5 | 23600 | 17000 | 14600 | | | | 3.5 |
| 4 | 20800 | 16600 | 14000 | | | | 4 |
| 4.5 | 18800 | 16600 | 14000 | 10600 | | | 4.5 |
| 5 | 16800 | 15600 | 13600 | 10000 | 8600 | | 5 |
| 5.5 | 15300 | 14600 | 13000 | 10000 | 8300 | | 5.5 |
| 6 | 13800 | 13600 | 12400 | 9600 | 8100 | 6600 | 6 |
| 6.5 | 11900 | 11900 | 11600 | 9000 | 7800 | 6300 | 6.5 |
| 7 | 10000 | 10600 | 10600 | 8600 | 7300 | 6200 | 7 |
| 8 | 8300 | 8600 | 8600 | 8000 | 6900 | 6800 | 8 |
| 9 | | 7000 | 7000 | 6600 | 6300 | 6400 | 9 |
| 10 | | 6000 | 6000 | 5600 | 5600 | 5100 | 10 |
| 12 | | 4300 | 4300 | 4200 | 4100 | 4000 | 12 |
| 14 | | | 3200 | 3200 | 3100 | 3100 | 14 |
| 16 | | | | 2300 | 2300 | 2300 | 16 |
| 18 | | | | 1800 | 1800 | 1800 | 18 |
| 20 | | | | | 1400 | 1400 | 20 |
| 22 | | | | | | 900 | 22 |
| Number of lines | 8 | 6 | 6 | 4 | 3 | 3 | Number of lines |
| Telescoping condition(%) | | | | | | | |
| I | 100% | 100% | 100% | 100% | 100% | 100% | I |
| II | 0 | 20% | 40% | 60% | 80% | 100% | II |
| III | 0 | 20% | 40% | 60% | 80% | 100% | III |
| IV | 0 | 20% | 40% | 60% | 80% | 100% | IV |

Bővebb információ vagy megrendelés: 06 30 9 443 817; e-mail: info@gyorfidaru.hu

Munka rádiusz



TERHELÉSI TÁBLÁZAT 9 méteres segédgémme

(megengedett terhelés [tonnában] 4 tonna ellensúllyal a főgém dőlési szöge szerint)

Unit:Kg

Prerequisites:

- ① Boom operating condition(fully extended boom length + jib length),max. length is 32m+8m
- ② The span of outriggers is 5.45x6.2m
- ③ 240°rotation is applied

| Main boom angle | Main boom+Jib | | | Main boom angle |
|-----------------|-----------------------|------------------------|------------------------|-----------------|
| | Compensation angle 0° | Compensation angle 15° | Compensation angle 30° | |
| 78° | 2700 | 2400 | 1800 | 78° |
| 75° | 2510 | 2220 | 1750 | 75° |
| 72° | 2140 | 1830 | 1520 | 72° |
| 70° | 1910 | 1570 | 1350 | 70° |
| 65° | 1450 | 1240 | 1000 | 65° |
| 60° | 1080 | 1020 | 750 | 60° |
| 55° | 800 | 720 | 560 | 55° |
| 50° | 580 | 500 | 400 | 50° |

Bővebb információ vagy megrendelés: 06 30 9 443 817; e-mail: info@gyorfidaru.hu