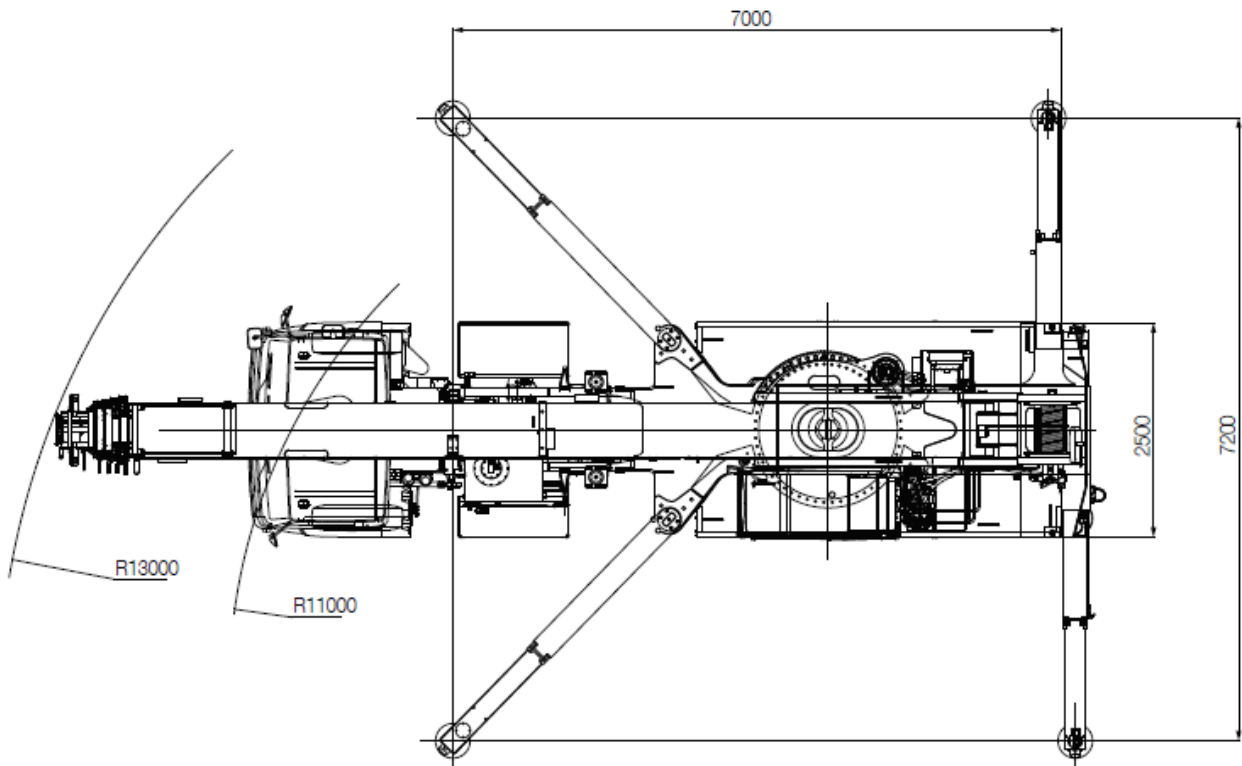
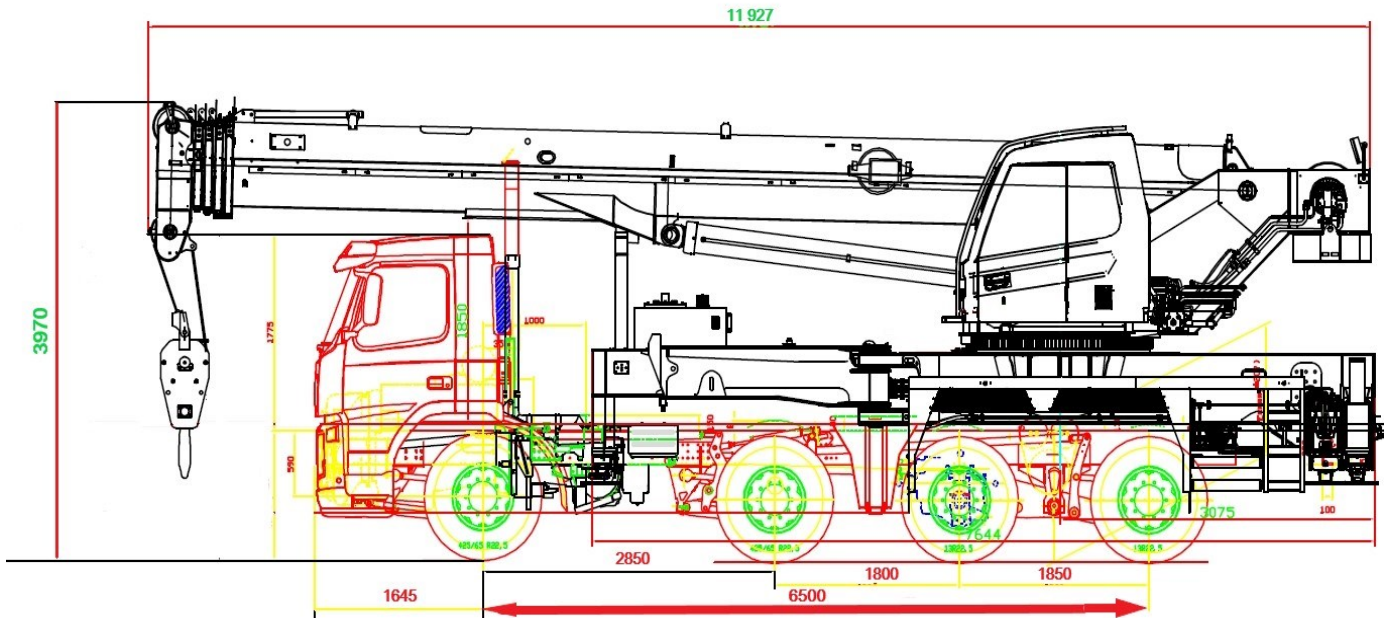


GEOMETRIAI MÉRETEI



TERHELÉSI TÁBLÁZAT

(megengedett terhelés [tonnában] 8 tonna ellensúllyal)

Prerequisites:

- ① Boom operating condition (fully extended boom length), min. length is 10.5 and max. length is 40.5m
- ② The span of outrigger is 7x7.2m
- ③ 360° rotation is applied
- ④ Counterweight is 8T

Working range(m)	Main boom							Working range(m)
	10.5	14.2	18	23.6	29.2	34.9	40.5	
3	40000	33000						3
3.5	36000	33000	22000					3.5
4	33000	30000	22000					4
4.5	31000	28000	22000	17600				4.5
5	28000	25000	22000	17200				5
5.5	25000	23000	20500	16300	13500			5.5
6	23000	21000	19000	16000	13000			6
6.5	21600	19000	18000	15000	12500			6.5
7	19000	17500	17000	14500	12000	11000		7
8	15000	15000	14500	12500	11000	10000		8
9		12500	12000	11500	10000	9000	7500	9
10		11000	10500	10000	9500	8000	7000	10
12		7700	7900	8000	7600	6500	6000	12
14			6100	6400	6300	6200	5500	14
16			4000	5000	5000	5000	5000	16
18				3900	4200	4200	4200	18
20				3100	3500	3400	3400	20
22					2900	2900	2900	22
24					2200	2400	2400	24
26					1750	1950	2000	26
28						1600	1700	28
30						1250	1400	30
32						1000	1100	32
34							900	34
Number of lines	10	10	8	6	4	4	3	Number of lines
Telescoping condition(%)								
II	0%	50%	100%	100%	100%	100%	100%	II
III	0%	0%	0%	25%	50%	75%	100%	III
IV	0%	0%	0%	25%	50%	75%	100%	IV
V	0%	0%	0%	25%	50%	75%	100%	V

Bővebb információ vagy megrendelés: 06 30 9 443 817; e-mail: info@gyorfidaru.hu

TERHELÉSI TÁBLÁZAT

(megengedett terhelés [tonnában] 4.8 tonna ellensúllyal)

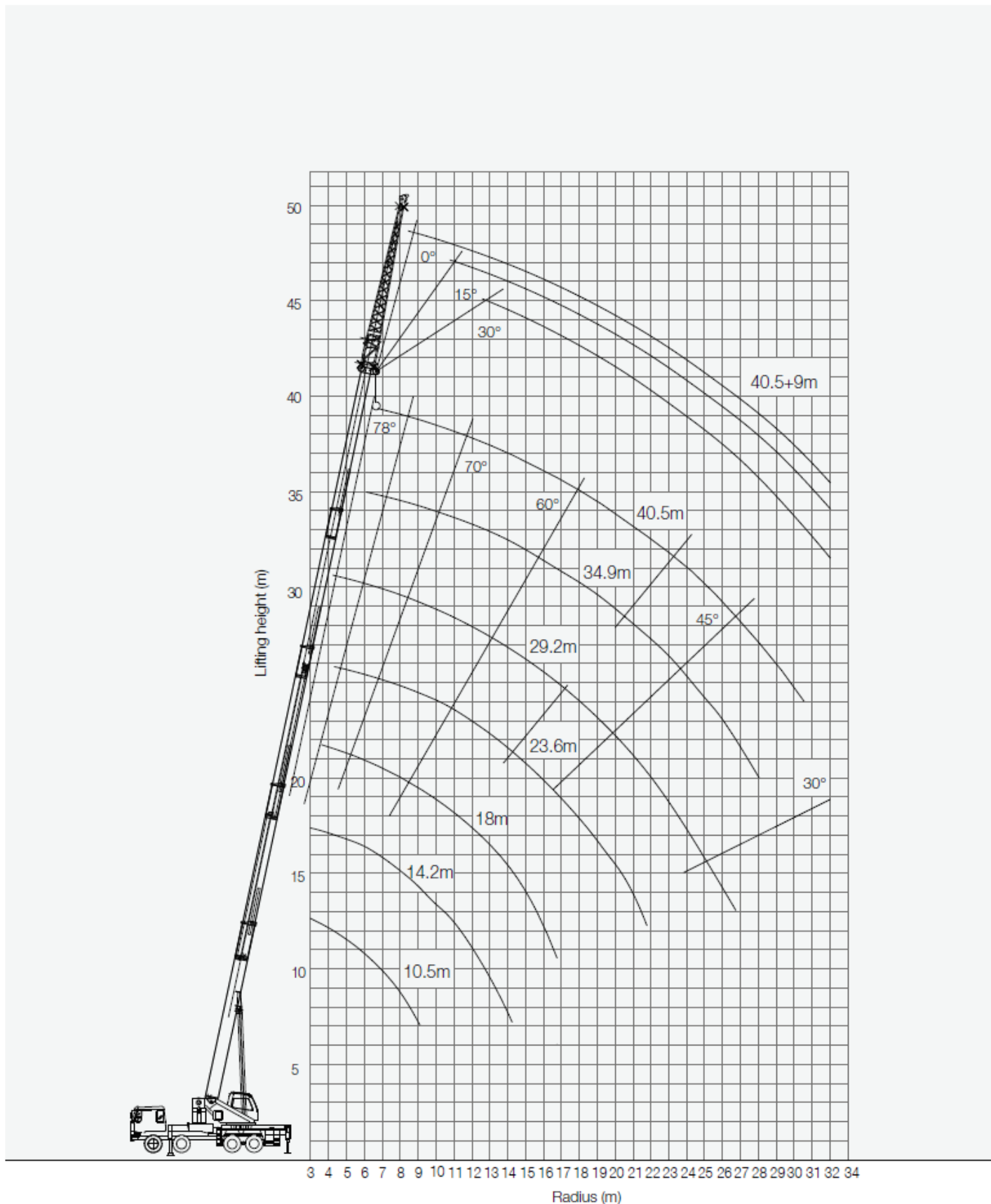
Prerequisites:

- ① Boom operating condition (fully extended boom length), min. length is 10.5 and max. length is 40.5m
- ② The span of outrigger is 7x7.2m
- ③ 360° rotation is applied
- ④ Counterweight is 4.8T

Working range(m)	Main boom							Working range(m)
	10.5	14.2	18	23.6	29.2	34.9	40.5	
3	40000	33000						3
3.5	36000	33000	22000					3.5
4	33000	30000	22000					4
4.5	31000	28000	22000	17600				4.5
5	28000	25000	22000	17200				5
5.5	25000	23000	20500	16300	13500			5.5
6	22000	21000	19000	16000	13000			6
6.5	19000	18000	17000	15000	12500			6.5
7	17000	16000	15000	14500	12000	11000		7
8	14000	13000	12000	12000	11000	10000		8
9		10000	9500	10000	9500	9000	7500	9
10		8500	8000	8500	8000	7500	7000	10
12		6500	6000	6500	6000	6000	5500	12
14			4000	4500	5000	5000	5000	14
16			3000	3700	3900	4000	4100	16
18				2800	3100	3200	3200	18
20				2200	2500	2600	2600	20
22					2000	2100	2100	22
24					1500	1700	1700	24
26					1100	1400	1400	26
28						1100	1100	28
30						800	800	30
Number of lines	10	10	8	6	4	4	3	Number of lines
Telescoping condition(%)								
II	0%	50%	100%	100%	100%	100%	100%	II
III	0%	0%	0%	25%	50%	75%	100%	III
IV	0%	0%	0%	25%	50%	75%	100%	IV
V	0%	0%	0%	25%	50%	75%	100%	V

Bővebb információ vagy megrendelés: 06 30 9 443 817; e-mail: info@gyorfidaru.hu

Munka rádiusz



TERHELÉSI TÁBLÁZAT 9 méteres segédgémme

(megengedett terhelés [tonnában] 8 és 4.8 tonna ellensúllyal a főgém dőlési szöge szerint)

Prerequisites:

- ① Boom operating condition(fully extended boom length + jib length), max. length is 40.5m+9m
- ② The span of outrigger is 7x7.2m
- ③ 360° rotation is applied
- ④ Counterweight is 4.8T

Boom angle(Deg.)	0°offset	15°offset	30°offset
77	2700	2400	1800
75	2650	2250	1750
72	2550	2050	1600
70	2400	1850	1400
65	1800	1600	1200
60	1200	1000	700
55	700	500	

Prerequisites:

- ① Boom operating condition(fully extended boom length + jib length), max. length is 40.5m+9m
- ② The span of outrigger is 7x7.2m
- ③ 360° rotation is applied
- ④ Counterweight is 8T

Boom angle(Deg.)	0°offset	15°offset	30°offset
77	2700	2400	1800
75	2650	2250	1750
72	2550	2050	1600
70	2450	1850	1400
65	2000	1600	1200
60	1450	1350	900
55	950	850	650
50	700	600	400